

## Click-Clack Basin Waste Technical Data



**Product(s)**

Universal Click-Clack Basin Waste

**Article Number(s)**

NOBRA02UBW  
N1BRA02UBW  
N2BRA02UBW

**Product Description**

Universal Click-Clack Basin Waste

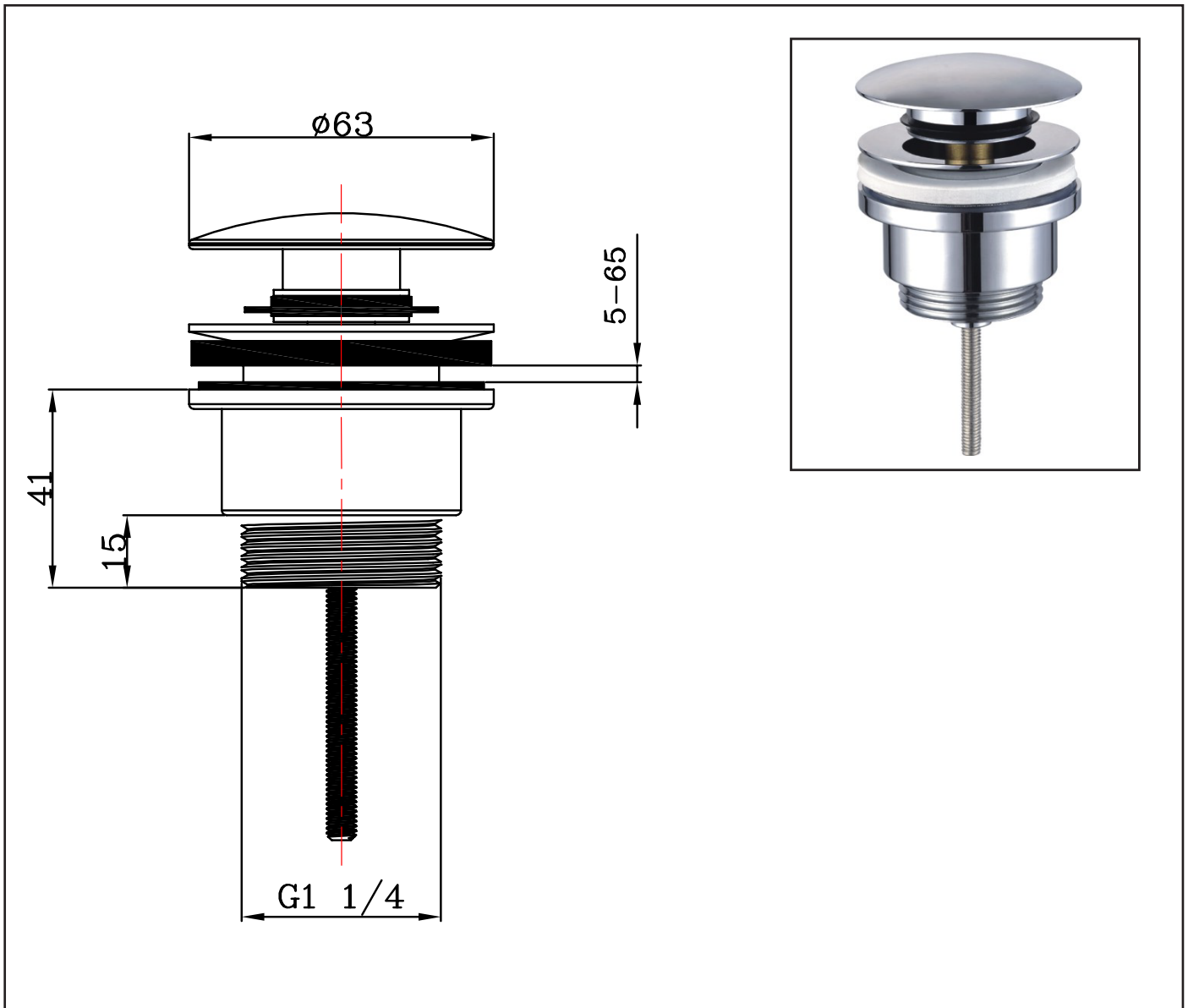
### Technical Data

Suitable water pressure	Min. 0.2 bar, Max. 5.0 bar
Material	Brass, Zinc-alloy
Finish Type	Chrome plated to BS EN248, Matt Black, Brushed Brass
Cartridge	N/A
Aerator	N/A
Fitting	g1/1/4" BSP thread
Operation	Push down to stop water flow.
Features	
Waste included?	No
Spout projection	N/A
Standards	
Additional information	Suitable for basins with an overflow
How long is the warranty?	6 months against manufacturing faults (excluding service-able parts)

**HiB recommend you receive the product before commencing with installation as all sizes and measurements are approximate. HiB try and ensure all measurements are as accurate as possible. In the interest of continuous product development, HiB reserves the right to alter specification as necessary. E & OE.**

# Click-Clack Basin Waste

Technical Data



HiB recommend you receive the product before commencing with installation as all sizes and measurements are approximate.  
HiB try and ensure all measurements are as accurate as possible.  
In the interest of continuous product development, HiB reserves the right to alter specification as necessary. E & OE.